

1 2 3 4 5 6 7 8

Part No.	Description	Qty/ System	Material
1	Ø660 Quarter Circle Rubber Fender	1	Rubber + Q235B
2	Fixing bolt,Nut,rouand washer, M20	16 set	SS304
3	Fixing U plate	8	Q235 HDG

A

A

B

B

C

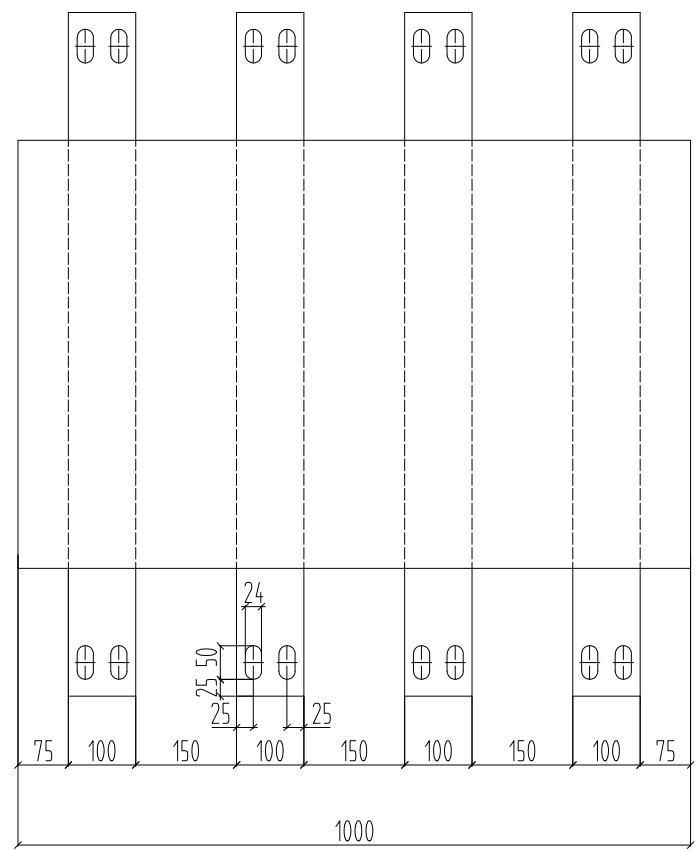
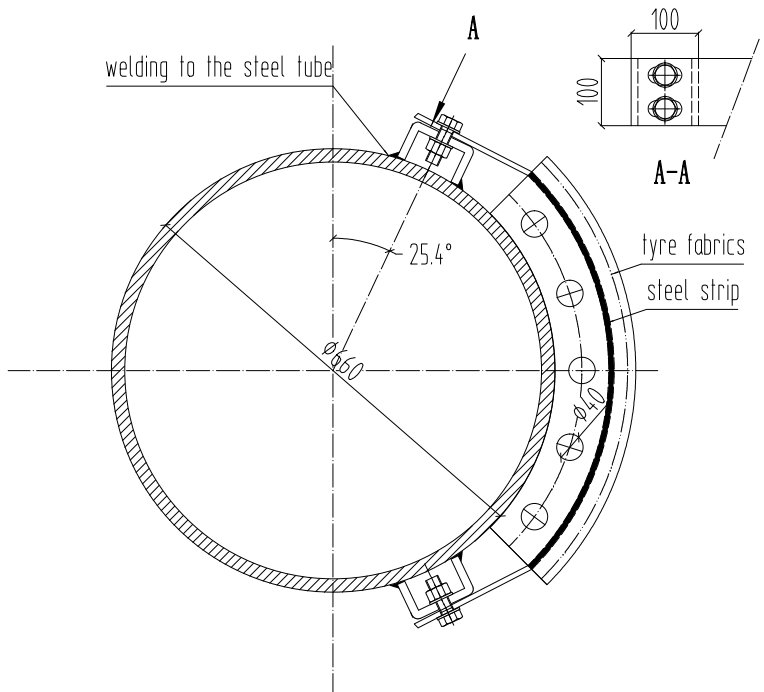
C

D

D

E

E



Note:
- All dimensions are in mm unless noted otherwise.

DRAWN	
DESIGNED	
CHECKED	
CHECKED	
APPROVED	
SCALE	N T S
SIZE A3	⊕ ↻

CMR

CHINA MARINE RUBBER
(QINGDAO) INDUSTRIAL CO., LTD.

Address: JIAOBEI INDUSTRIAL ZONE, JIAOZHOU QINGDAO CHINA

Tel: +86 532 88277827
Fax: +86 532 88277826
E-mail: info@cmrqd.com
Web: www.cmrqd.com
Zip code: 266300

TITLE:-
Ø660 Quarter Circle Rubber Fender

PROJECT:-

DRAWING NO :-
C-XX-LN1221-1

SHEET: 1 OF 1 Ver.: 1

1 2 3 4 5 6 7 8