

Certificate:

CE for whole equipment and ATEX certified for all electrical components

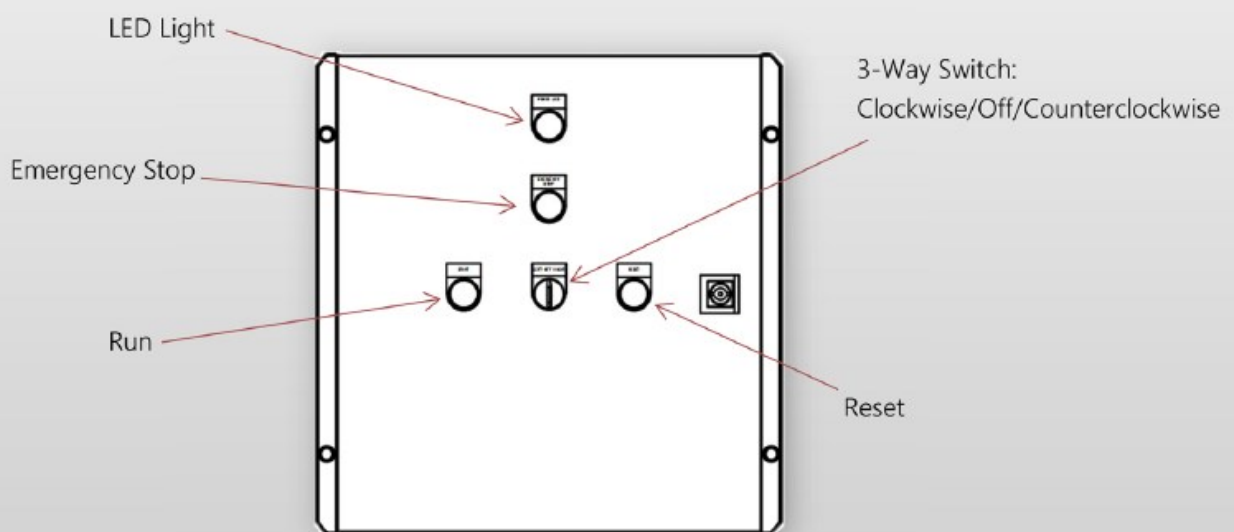
Motor Power (kW)	Line Pull (kN)	Start pull (kN)	Area Classification
5.5	10	20	Hazardous 1-2/21/22
			Non-Hazardous
7.5	15	30	Hazardous 1-2/21/22
			Non-Hazardous
11	20	40	Hazardous 1-2/21/22
			Non-Hazardous
15	30	60	Hazardous 1-2/21/22
			Non-Hazardous

ADC Maritime, La Bergerie 63920 Peschadoires France

SAS au capital de 5000€- 827 530 676 RCS Clermont-Ferrand
 SIRET 827 530 676 00010 : TVA N° FR 36 827 530 676 : Code APE 4614Z
www.adc-maritime.fr

Pour toute demande technique ou commerciale : contact@adc-maritime.fr

Component	Protection class	Explosion proof grade	Brand
Motor	IP55 minimum	EExd-II -BT4(5)(6)	ABB/SEW etc.
Motor Starter	IP65 - IP67	EExd-II -BT4(5)(6)	Warom etc.
Food switch	IP65 - IP67	EExd-II -BT4(5)(6)	Steute/Bernstein etc.



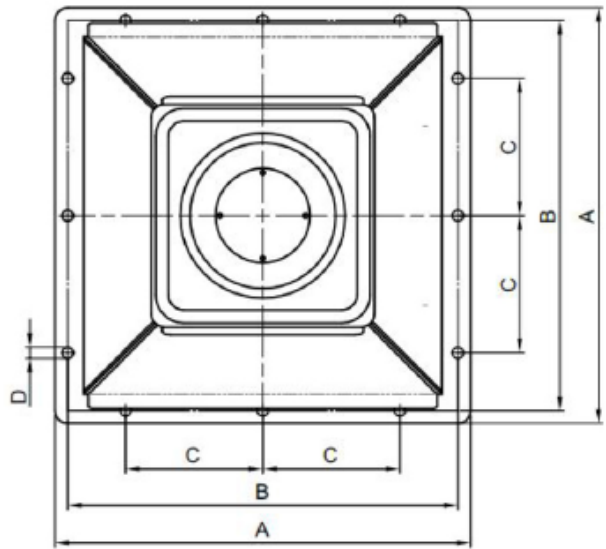
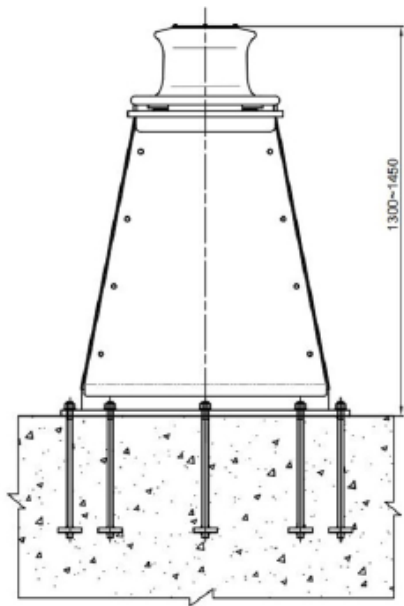
CONTROL PANEL

Component	Protection class	Explosion proof grade	Brand
Motor	IP55 minimum	EExd-II -BT4(5)(6)	ABB/SEW etc.
Motor Starter	IP65 - IP67	EExd-II -BT4(5)(6)	Warom etc.
Food switch	IP65 - IP67	EExd-II -BT4(5)(6)	Steute/Bernstein etc.

ADC Maritime, La Bergerie 63920 Peschadoires France

SAS au capital de 5000€- 827 530 676 RCS Clermont-Ferrand
 SIRET 827 530 676 00010 : TVA N° FR 36 827 530 676 : Code APE 4614Z
www.adc-maritime.fr

Pour toute demande technique ou commerciale : contact@adc-maritime.fr



Motor Capacity	A	B	C	D	Bolt Size	Bolt Quantity
5.5 kW	970	910	320	Φ22	M16x500	12
7.5 kW	970	910	320	Φ22	M16x500	12
11 kW	1020	960	330	Φ22	M16x500	12
15 kW	1020	960	330	Φ22	M16x500	12

Capstan head Type	Reversible or Non reversible
Braking Device	Mechanical (Backstop) or Electrical (Brake-motor)
Power	3Ø + Earth: 380 to 480 VAC(±10%) @50Hz or 60 Hz (±5%) Note: Voltages outside these ranges available upon request.
Line Speed	± 10 meters /minute ± 20 meters /minute ± 30 meters /minute
Anchor bolts	Material: 316L stainless steel / Grade 8.8 H.D.G.
Surface Treatment	Surface Preparation -Class 2.5 Blast(1) 1st Coat : nominal 75µm DFT epoxy zinc-rich primer 2st Coat : nominal 125µm DFT two-part epoxy,containing MIO 3st Coat : nominal 75µm re-coatable two-part polyurethane Color: Black or Color as per client's request
	Horizontal Motor

ADC Maritime, La Bergerie 63920 Peschadoires France

SAS au capital de 5000€- 827 530 676 RCS Clermont-Ferrand
SIRET 827 530 676 00010 : TVA N° FR 36 827 530 676 : Code APE 4614Z
www.adc-maritime.fr

Pour toute demande technique ou commerciale : contact@adc-maritime.fr